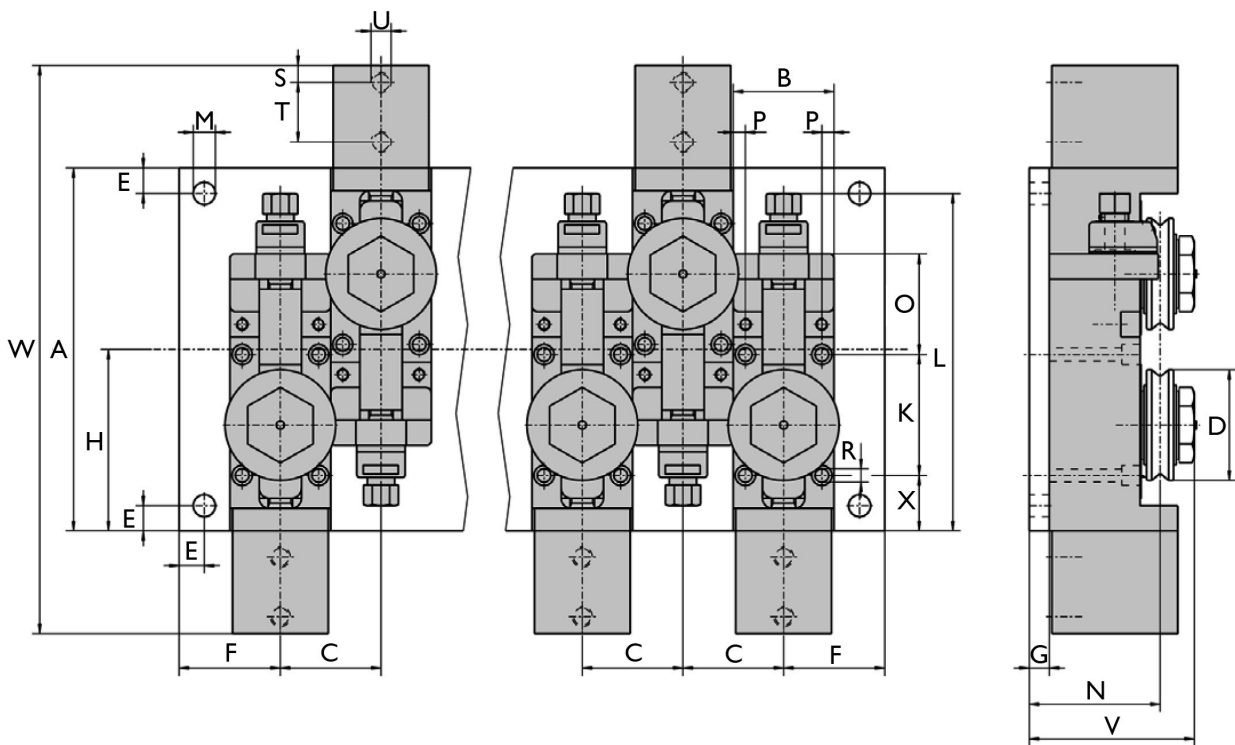


Techna STRAIGHTENERS (WIRE & STRIP)

AS PO - Modular Straightener System with Fully Adjustable Rollers for High-Strength Process Materials



- For high-strength materials e.g. high-tensile steel for concrete reinforcement
- Modular system; add units to achieve the desired number of rolls
- Fully adjustable rolls with moveable centre line
- With positional counters to ensure repeatability



AS PO Series		Dimensions (mm)																				
Size Range (mm)	Order Ref.	A	B	C	D	E	F	G	H	K	L	M	N	O	P	R	S	T	U	V	W	X
5 - 20	AS 1-20 PO	360	100	100	110	25	100	20	180	120	334	22	132	100	12	13	17	59	G 1/2"	168	564	55
20 - 40	AS 1-40 PO	500	200	200	200	50	200	30	250	200	489	26	174	205	15	17	25	70	G 1/2"	223	988	25

G 1/2" = Standard Hydraulic or Pneumatic Connector with 1/2" Whitworth thread